

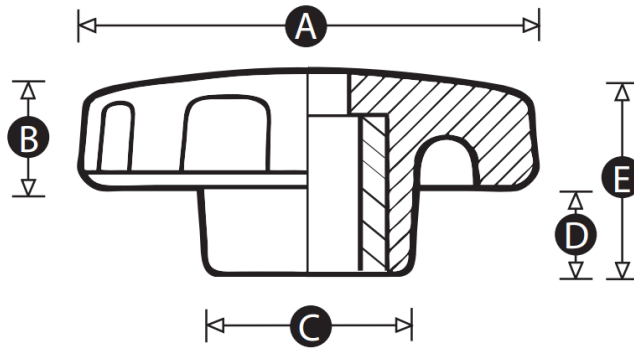
G06TPK Through Thread Lobe Knob

Features

- Designed for food and medical industries
- Suitable for all other applications
- Heavy duty

Material

- Body: Duroplast, black, gloss finish
- Insert: Brass or aluminium



Part No.	A	B	C	D	E	Insert	Thread Size
G06TPK-1314Y	32	11	18	8	19	Brass	M6
G06TPK-1331W	44	13	24	8	21		M8
G06TPK-1351T	57	15	25	12	27	Brass	M10
G06TPK-1351T-AL						Aluminium	
G06TPK-1353W						Brass	M12
G06TPK-1364W	70	18	28	14	32	Brass	M12